

Multiplexer - FB-MUX/HS/DAIO/PA - 1005329

Please be informed that the data shown in this PDF Document is generated from our Online Catalog. Please find the complete data in the user's documentation. Our General Terms of Use for Downloads are valid (<http://phoenixcontact.com/download>)



The FB-MUX/HS/DAIO/PA head station can be used with up to three, 6-channel Digital-Analog-Input-Output modules (RAD-DAIO6-IFS). This configuration can be used as a combination digital and analog I/O solution.

Product Description


The fieldbus PA multiplexer headstation allows the integration of standard Radioline I/O modules to a Profibus PA network. The FB-MUX/HS/PA has five profile software versions for different IO configurations.

Your advantages

- No software needed thanks to a pre-configured head station
- Connection of all I/O field signals with standard PROFIBUS PA cable
- Easy integration into host system with an EDD-, GSD-, or DTM-data file
- Five application-specific head stations allow simple implementation in the field
- Scalable according to application needs
- UL listed
- Suitable for ATEX zone 2
- IECEX CoC



Key Commercial Data

Packing unit	1 pc
GTIN	 4 055626 475028
GTIN	4055626475028
Weight per Piece (excluding packing)	140.000 g
Custom tariff number	85176200
Country of origin	United States

Multiplexer - FB-MUX/HS/DAIO/PA - 1005329

Technical data

Note

Utilization restriction	EMC: class A product, see manufacturer's declaration in the download area
	Use in potentially explosive areas is not permitted in China.

Dimensions

Width	17.5 mm
Height	114.5 mm
Depth	99 mm

Ambient conditions

Ambient temperature (operation)	-40 °C ... 70 °C
Ambient temperature (storage/transport)	-40 °C ... 85 °C
Maximum altitude	< 2000 m
Permissible humidity (operation)	20 % ... 95 % (non-condensing)

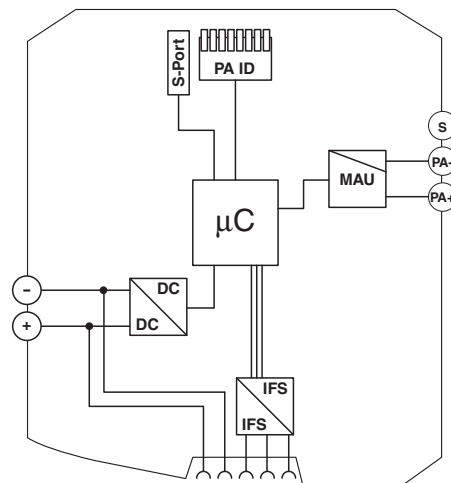
Power supply

General

Degree of pollution	2
Overvoltage category	II
Housing material	PA 6.6-FR
Color	green

Drawings

Block diagram



Multiplexer - FB-MUX/HS/DAIO/PA - 1005329

Classifications

eCl@ss

eCl@ss 10.0.1	19179290
eCl@ss 11.0	19179090
eCl@ss 5.1	19179290
eCl@ss 6.0	19179200
eCl@ss 7.0	19179290
eCl@ss 9.0	19179290

ETIM

ETIM 6.0	EC000310
----------	----------

UNSPSC

UNSPSC 13.2	43222604
UNSPSC 18.0	43222604
UNSPSC 19.0	43222604
UNSPSC 20.0	43222604
UNSPSC 21.0	43222604

Approvals

Approvals

Approvals


UL Listed / cUL Listed / cULus Listed

Ex Approvals

IECEX / UL Listed / cUL Listed / ATEX / cULus Listed

Approval details

UL Listed		http://database.ul.com/cgi-bin/XYV/template/LISEXT/1FRAME/index.htm	FILE E 238705
-----------	---	---	---------------

cUL Listed		http://database.ul.com/cgi-bin/XYV/template/LISEXT/1FRAME/index.htm	FILE E 238705
------------	---	---	---------------

Multiplexer - FB-MUX/HS/DAIO/PA - 1005329

Approvals

cULus Listed



Accessories

Accessories

Extension module

I/O extension module - RAD-DAIO6-IFS - 2901533



Radioline - I/O extension module, 2 digital inputs and outputs (0 ... 250 V AC/DC) and 1 analog input (0/4 ... 20 mA) and output (0/4 ... 20 mA, 0 ... 10 V)